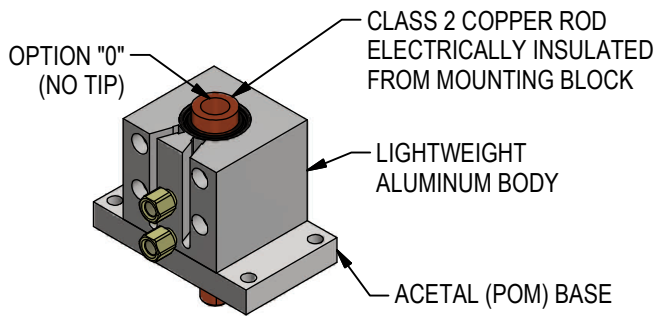


PASS-THRU GROUND BLOCKS

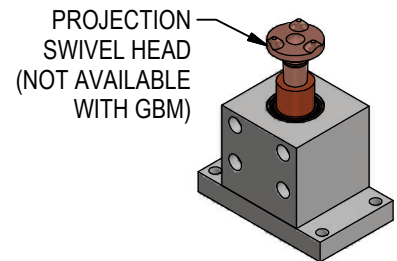
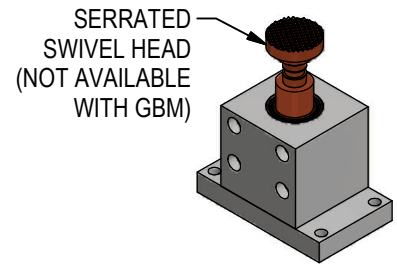
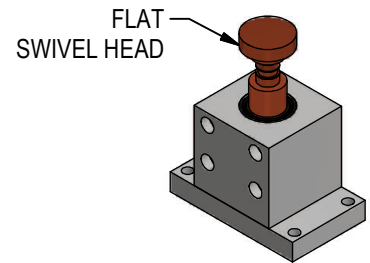
FULLY INSULATED, COMPACT UNITS THAT MOVE THE GROUNDING CABLE AWAY FROM THE CONTACT FACE. PNEUMATIC AND SPRING ACTUATED VERSIONS PROVIDE CONSISTENT PRESSURE FOR WELD CONSISTENCY.

GBP

PNEUMATIC ACTUATED UNIT

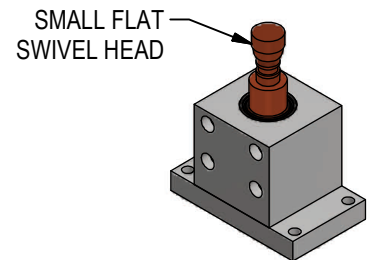
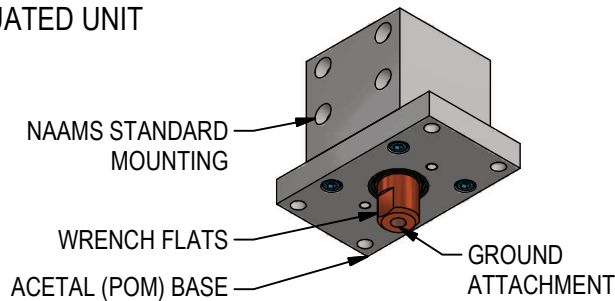


NOSE OPTIONS:



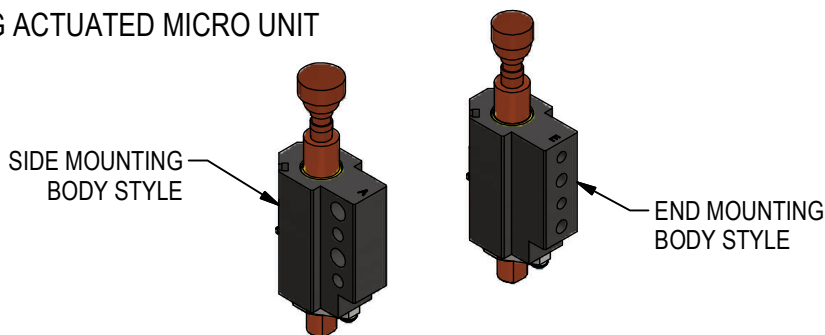
GBS

SPRING ACTUATED UNIT



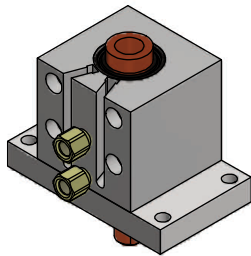
GBM

SPRING ACTUATED MICRO UNIT



RELEASED 6/16/21

GBP PNEUMATIC ACTUATED UNIT ~ ORDER INFO & DIMENSIONS



GBP UNIT INCLUDES
WELKER L3 WELD
FIELD IMMUNE* SWITCH

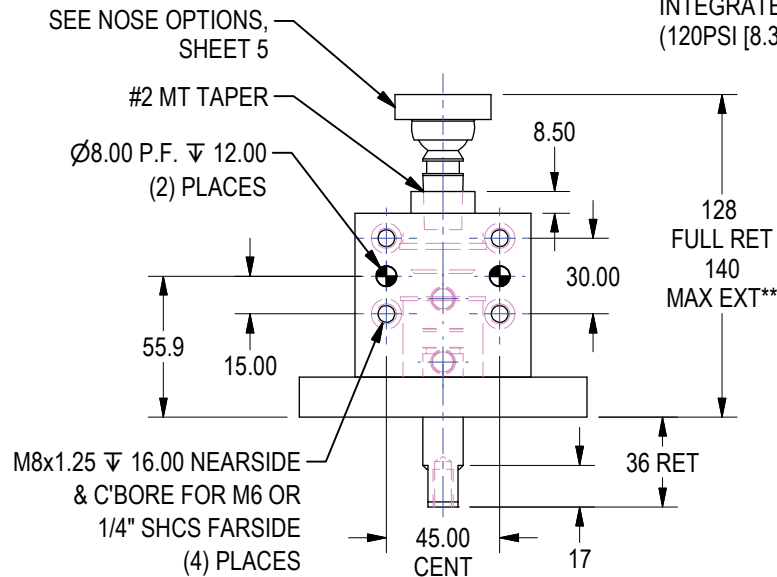
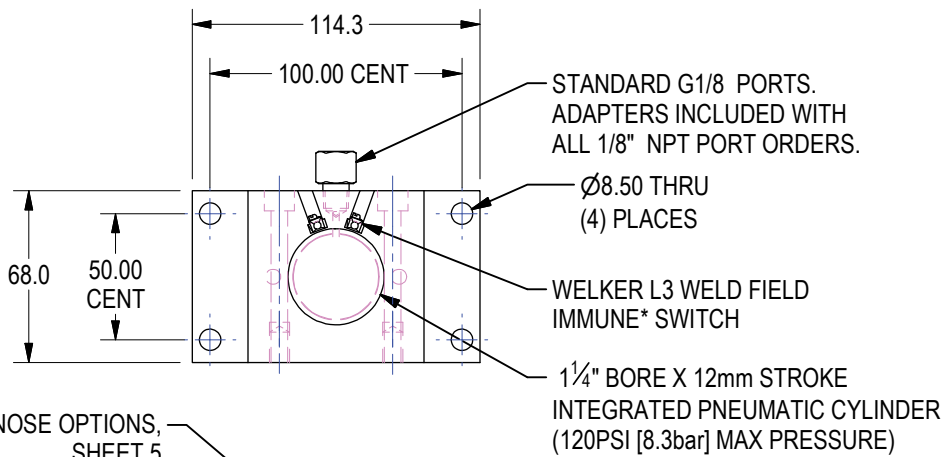
GBP [] [] L 3

Nose Option

- O** None
- B** Flat Swivel head
- C** Serrated Swivel head
- D** Projection Swivel head
- E** Small Flat Swivel head

Port

- N** 1/8 NPT (Adapters Included)
- G** G 1/8



** TRAVEL NOTE:

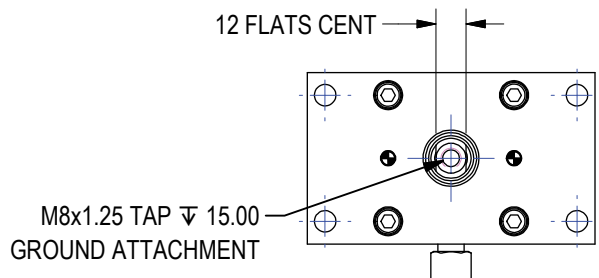
CYLINDER HAS 12mm OF FULL TRAVEL. IT IS RECOMMENDED TO SET UNIT UP WITH 3mm TO GO TO INSURE PART CONTACT. BY DOING THIS, THE OVERALL TRAVEL WILL BE REDUCED TO 9mm.



UNIT WEIGHT: 4 LBS (1.8 KG)

MAX CYL FORCE: 55lbf @ 60 PSI

MAX. CURRENT CAPACITY: 265 amps

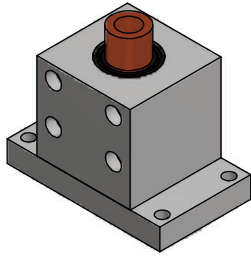


SHEET 2

(DO NOT SCALE DRAWING)

WELKER
ENGINEERED PRODUCTS
800-229-0890 www.welkerproducts.com

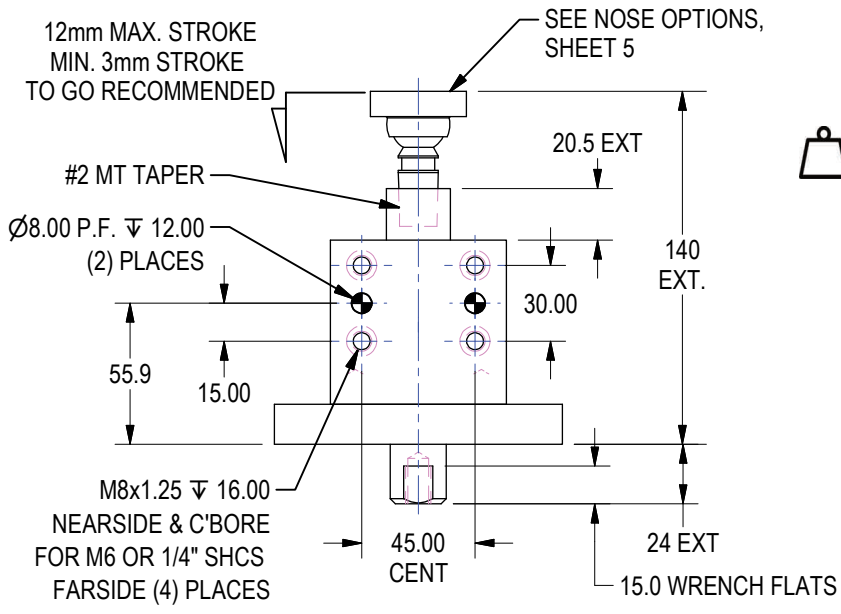
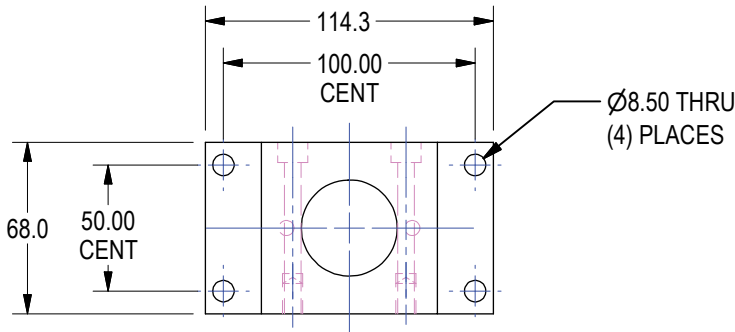
GBS SPRING ACTUATED UNIT ~ ORDER INFO & DIMENSIONS



GBS

Nose Option

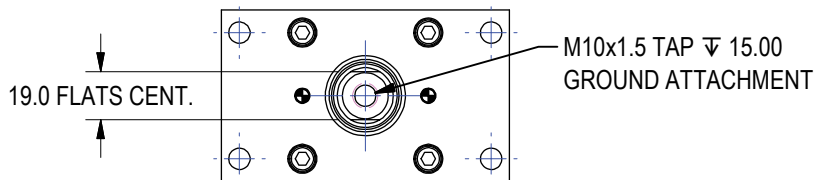
- 0** None
- B** Flat Swivel head
- C** Serrated Swivel head
- D** Projection Swivel head
- E** Small Flat Swivel head



UNIT WEIGHT: 4 LBS

APPROX SPRING FORCE:
INITIAL: 4 LB.
FULLY RETRACTED : 14 LB.

MAX. CURRENT CAPACITY: 340 amps



(DO NOT SCALE DRAWING)

WELKER
ENGINEERED PRODUCTS
800-229-0890 www.welkerproducts.com

GBM SPRING MICRO UNIT ~ ORDER INFO & DIMENSIONS

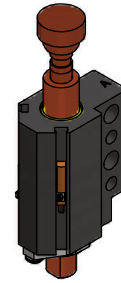
GBM L 3

Nose Option

- O** None
- B** X-Large Flat Swivel head
- C** Large Flat Swivel head
- D** Medium Flat Swivel head
- E** Small Flat Swivel head

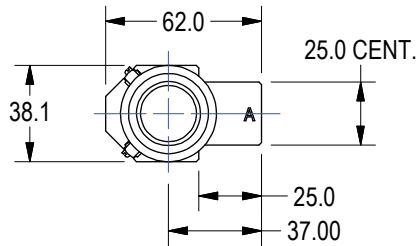
Body Style

- A** 11.0 Dia thru & 8.00 Dia Dowels (Side)
- B** M10 Tap thru & 8.00 Dia Dowels (Side)
- C** 9.0 Dia thru & 8.00 Dia Dowels (Side)
- D** M8 Tap thru & 8.00 Dia Dowels (Side)
- E** M8 Tap & 8.00 Dia Dowels (End)
- F** M10 Tap & 8.00 Dia Dowels (End)

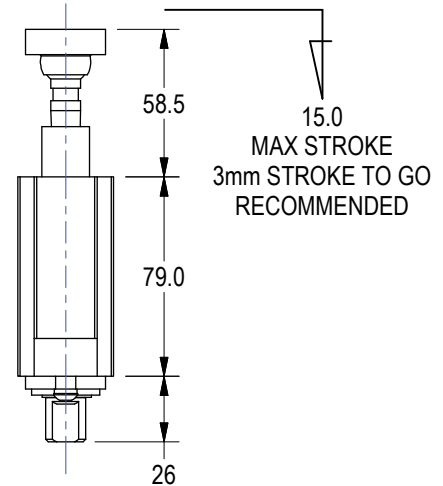
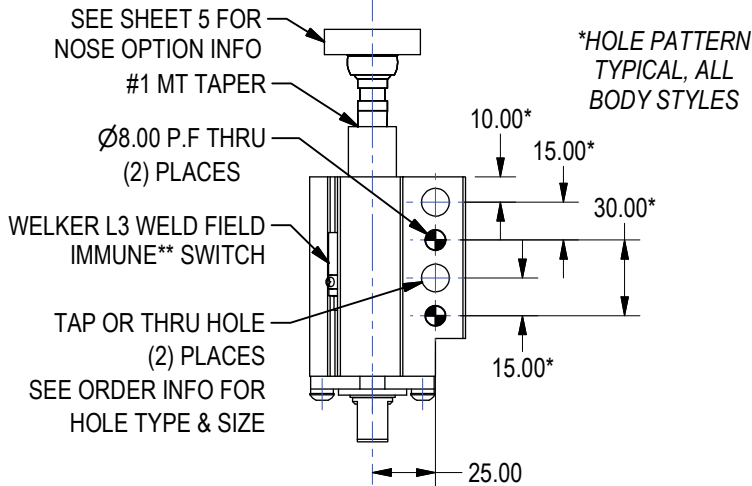


NOTE: GBM SWIVEL TIPS ARE NOT INTERCHANGEABLE WITH GBP & GBS

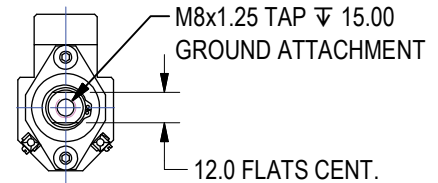
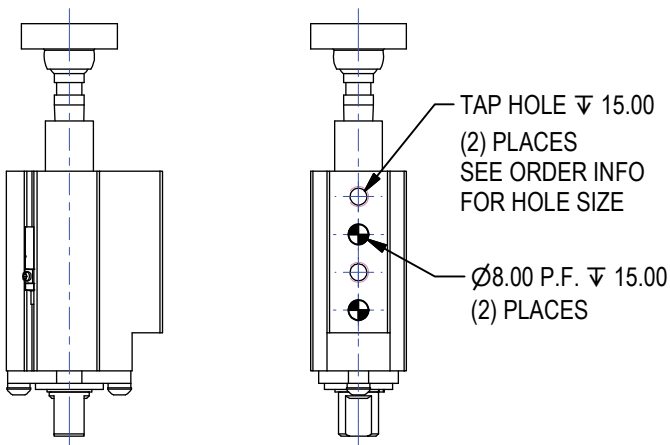
GBM UNIT INCLUDES WELKER L3 WELD FIELD IMMUNE** SWITCH



BODY STYLES WITH SIDE MOUNTING HOLES: A, B, C, D



BODY STYLES WITH END MOUNTING HOLES: E, F



UNIT WEIGHT: 1.5 LBS (.68 KG)

APPROX SPRING FORCE:
INITIAL: 8.5 LB.
FULLY RETRACTED: 11.5 LB.

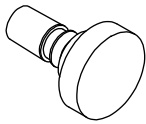
MAX. CURRENT CAPACITY: 300 amps
(DO NOT SCALE DRAWING)

WELKER
ENGINEERED PRODUCTS
800-229-0890 www.welkerproducts.com

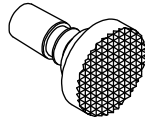
NOSE OPTIONS

ALL SWIVEL HEADS ARE RWMA CLASS 2 COPPER

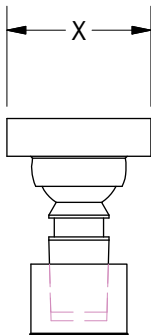
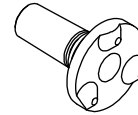
FLAT SWIVEL HEAD



SERRATED SWIVEL HEAD



PROJECTION SWIVEL HEAD



GBP & GBS NOSE OPTIONS: #2 MT TAPER			
OPTION	SWIVEL HEAD	DIM "X"	RE-ORDER PART NUMBER
B	FLAT SWIVEL HEAD	38.1mm (1.5")	SN-1512
C	SERRATED	38.1mm (1.5")	GB3E25
D	PROJECTION	38.1mm (1.5")	GBPH25E150200
E	SMALL FLAT	22.2mm (0.88")	SN-157

GBM NOSE OPTIONS: #1 MT TAPER			
OPTION	SWIVEL HEAD	DIM "X"	RE-ORDER PART NUMBER
B	X-LARGE FLAT	38.1mm (1.5")	SN-1412
C	LARGE FLAT	31.8mm (1.25")	SN-1410
D	MEDIUM FLAT	25.4mm (1")	SN-148
E	SMALL FLAT	22.2mm (0.88")	SN-147

NOTE: GBM SWIVEL TIPS ARE NOT INTERCHANGEABLE WITH GBP & GBS

SWITCH INFORMATION

Switch	Part Number	Manufacturer	Description
L3	SWITCH L3* L3 sw itch is weld field immune, comparable to World Sw itches. Dual sensor sw itch, 1 per cylinder	Welker	4-Wire, 4-Pin, DC (PNP) M12 X 1 Quick Disconnect

*Note that some mid and low frequency DC resistance applications (i.e. aluminum resistance welding applications) may cause a fault. In these applications, it is recommended that the sensor be ignored/bypassed during the welding cycle.

(DO NOT SCALE DRAWING)

