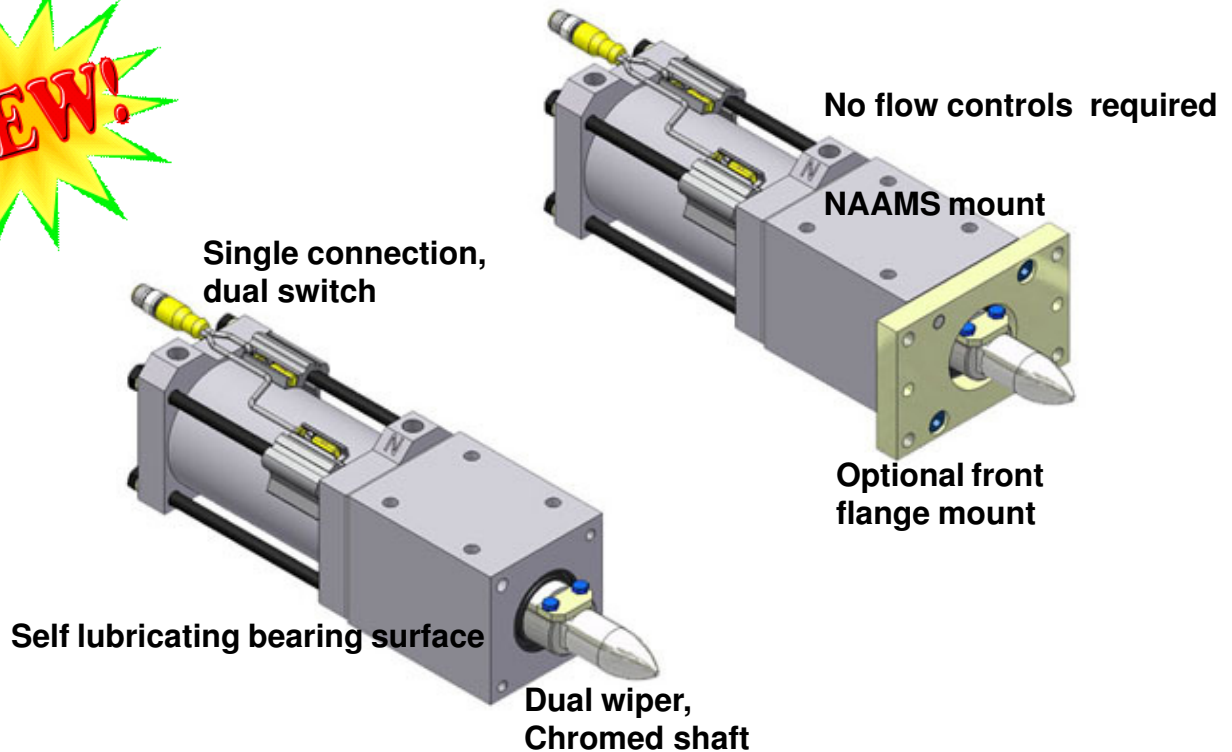


UR3 IN-LINE RETRACTABLE PIN UNIT



Compact and lightweight design

High accuracy and repeatability.

Versatile mounting options.

NAAMS pin compatible.

Solid state switch included

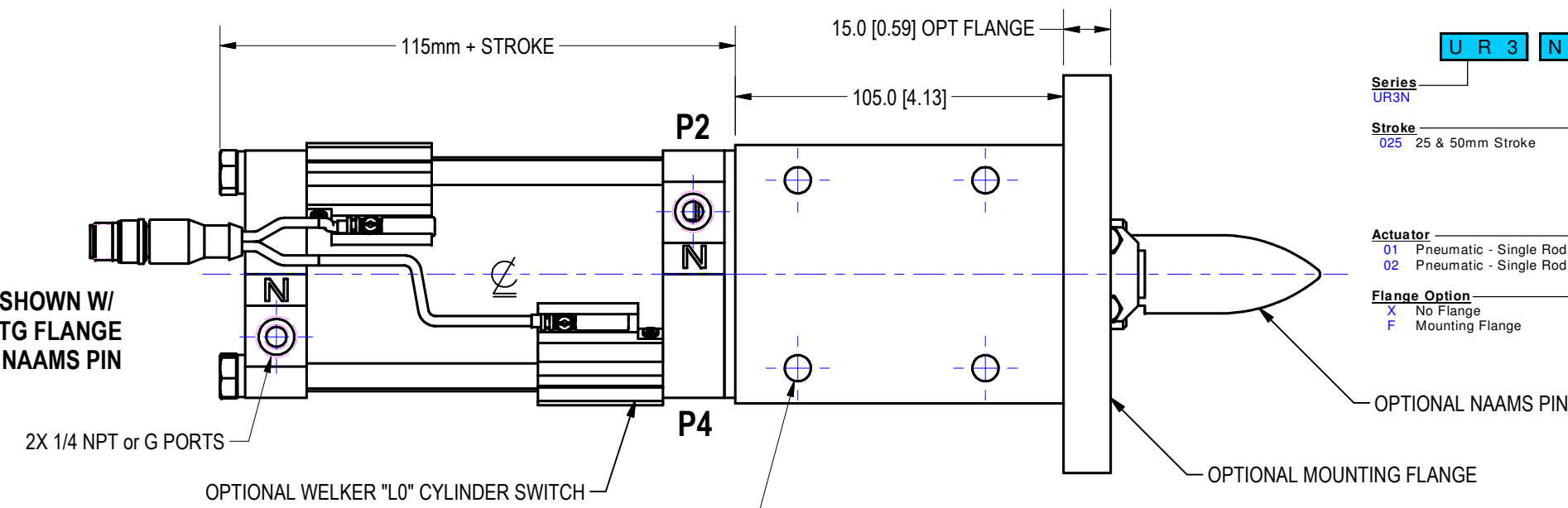
Maintenance free - electrically insulated

ORDERING INFORMATION

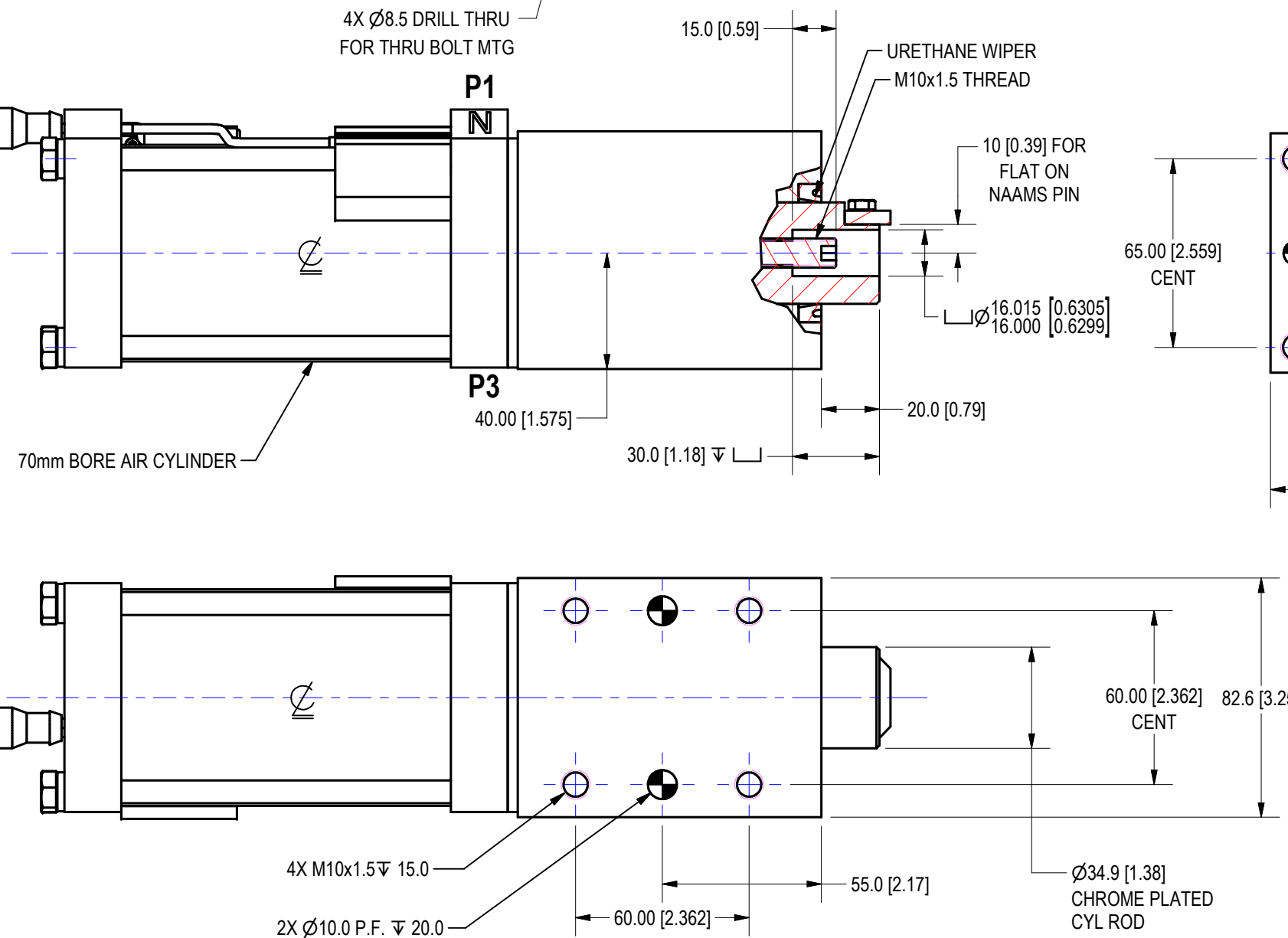
U R 3 N 0 2 5 X 0 1 0 X 0 0 0 A 0 0 0

- Series**
UR3N
- Stroke**
025 25 & 50mm Stroke
- Actuator**
01 Pneumatic - Single Rod - NPT
02 Pneumatic - Single Rod - G Port
- Flange Option**
X No Flange
F Mounting Flange
- Optional NAAMS Pin Size Code**
00 No Pin
10 See "RS4 Pins.xls"
- Optional NAAMS Pin Style Code**
0 No Pin
A See "RS4 Pins.xls"
- Port Position**
A P1 Port Position (Shown)
B P2 Port Position
C P3 Port Position
D P4 Port Position
- Switch**
00 No Switch
L0 Welker Cylinder Switch

**VIEW SHOWN W/
OPT MTG FLANGE
& OPT NAAMS PIN**



**VIEW SHOWN W/O
OPT MTG FLANGE
& OPT NAAMS PIN**



**APPROX. UNIT WEIGHT = 10.5lbf FOR 50mm STROKE W/O FLANGE & PIN
(ADD 2.0lbf FOR FLANGE OPTION)**

UNITS ARE MILLIMETERS
(i.e.X.XXmm [x.xxx"])
DO NOT SCALE DRAWING

DATE	STATUS	DRAWN BY	DATE	CHKD BY	ENG APPROVAL
7/2/2010	Released	DJH	7/2/2010	GSK	
SCALE		HALF		FILE NAME	UR3L01

WELKER BEARING COMPANY

TOOL NAME: UR3 SHOTPIN

TEMPLATE